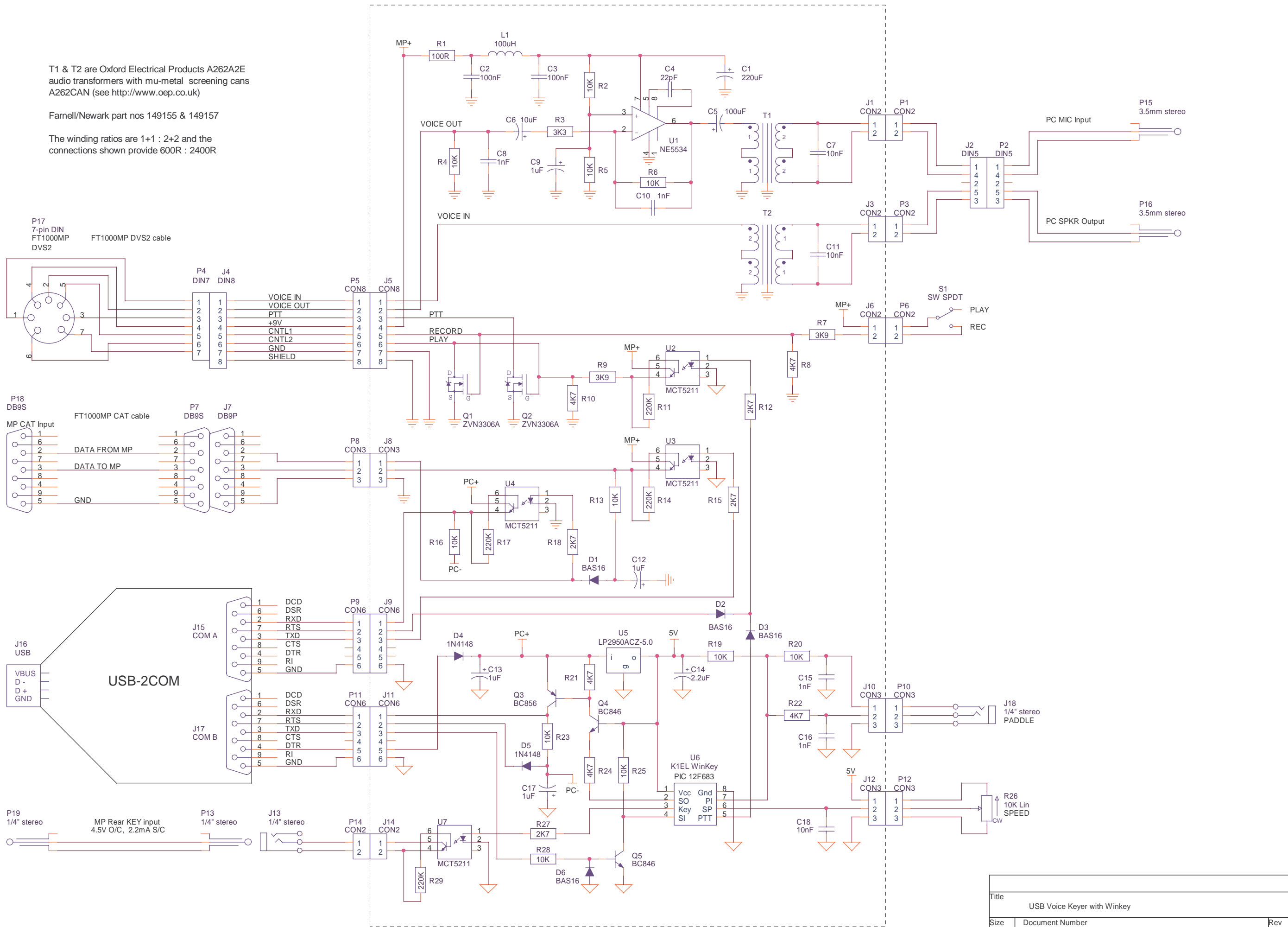


T1 & T2 are Oxford Electrical Products A262A2E audio transformers with mu-metal screening cans A262CAN (see <http://www.oep.co.uk>)

Farnell/Newark part nos 149155 & 149157

The winding ratios are 1+1 : 2+2 and the connections shown provide 600R : 2400R



Title		
USB Voice Keyer with Winkey		
Size	Document Number	Rev
A3	http://www.granta.digital-crocus.com/USB_Voice_Keyer.php3	1
Date:	Monday, April 10, 2006	Sheet 1 of 1