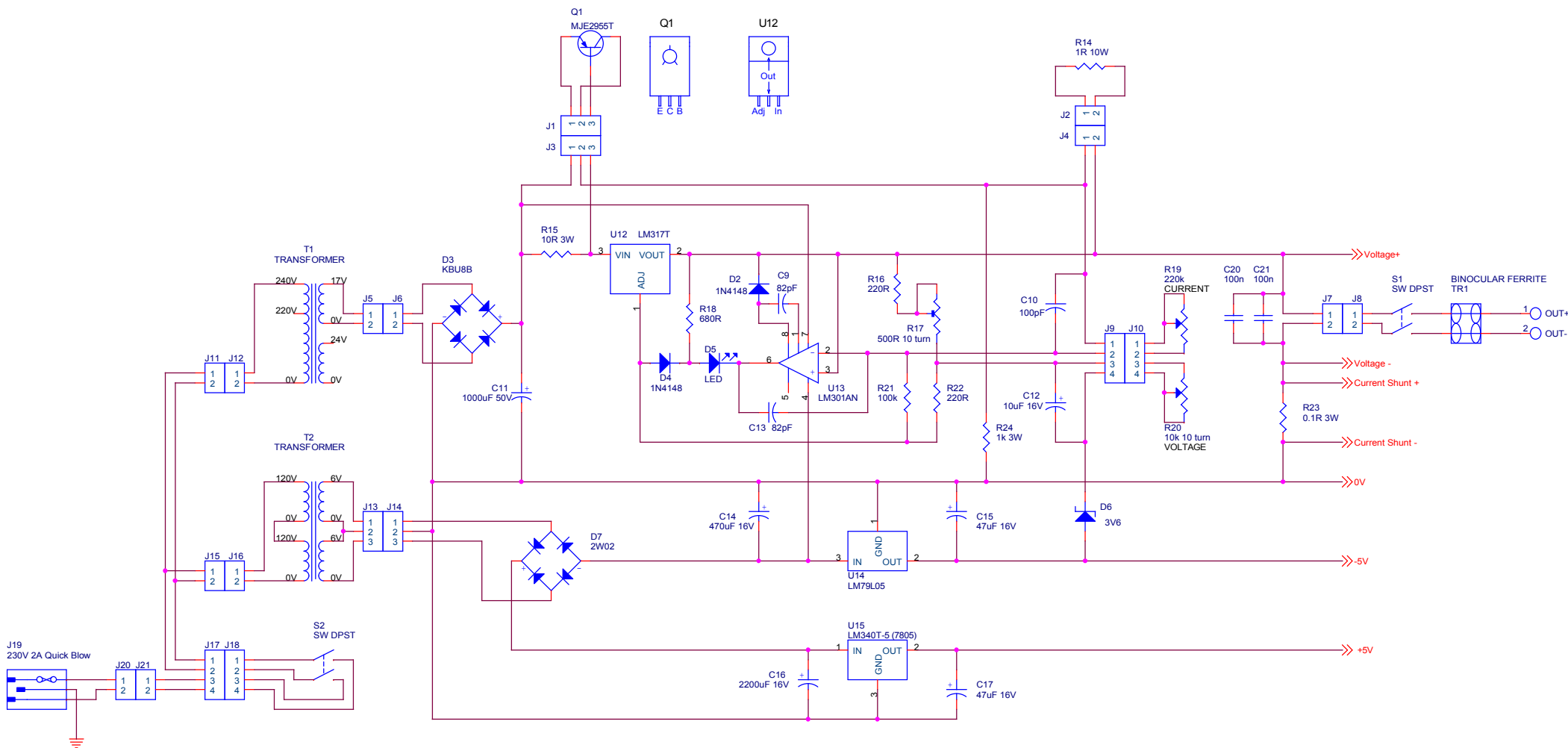


|                      |                          |              |
|----------------------|--------------------------|--------------|
| Title                |                          |              |
| Pipe Track - Display |                          |              |
| Size                 | Document Number          | Rev          |
| A4                   | PT00102                  | 2            |
| Date:                | Wednesday, June 19, 2013 | Sheet 1 of 2 |



|                        |                          |              |
|------------------------|--------------------------|--------------|
| Title                  |                          |              |
| Pipe Track - Regulator |                          |              |
| Size                   | Document Number          | Rev          |
| A3                     | PT00102                  | 3            |
| Date:                  | Wednesday, June 19, 2013 | Sheet 2 of 2 |